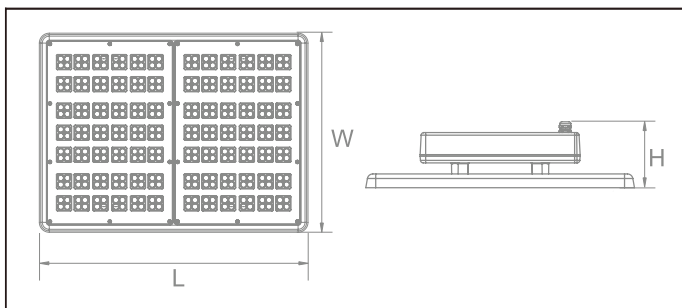


160LM/W

Features

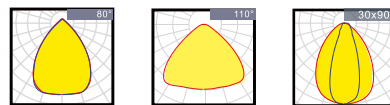
- Housing: Pure Aluminum
- Thermal Conductivity: 226 W/m·K
- Led: CREE JK 3030
- CRI: Ra>80
- SDCM: <6
- Power Factor: >0.95
- THD: <15
- Driver: Osram
- Driver Efficiency: >93%
- Protection: OTP, OCP, OVP, SCP
- Surge Protection: 10KV
- Waterproof: IP65
- Impact Test: IK10
- Electrical: 220-240V, 50/60Hz
- Operating Temperature: -40~50°C
- Tm21: L90B10>50,000H
- Lifetime: 50,000H



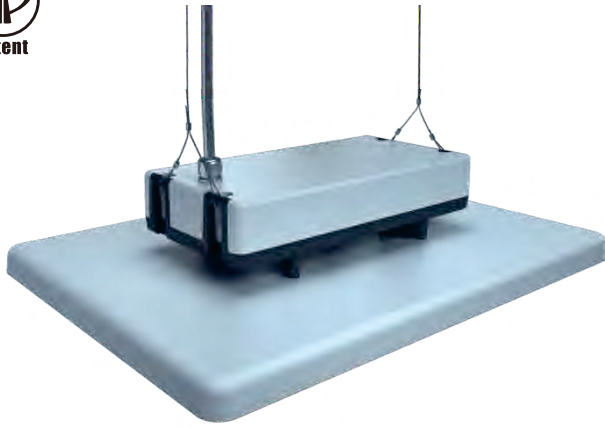
Functions

ZigBee · PWM · DALI · 0/1~10V · Micro-wave

Optical options:



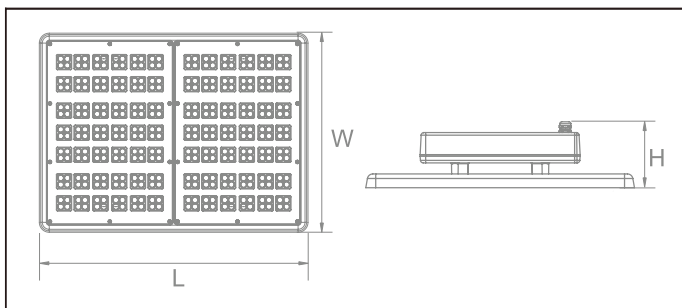
Model	Watt	Voltage	Lumen	CRI	IP	Dimension
HB060ME2I-CO	60W	220~240V	9600LM	>80	IP65	L362*W257*H120MM
HB100ME2I-CO	100W	220~240V	16000LM	>80	IP65	L362*W257*H120MM
HB120ME2I-CO	120W	220~240V	19200LM	>80	IP65	L415*W310*H120MM
HB150ME4I-CO	150W	220~240V	24000LM	>80	IP65	L487*W362*H120MM
HB200ME4I-CO	200W	220~240V	32000LM	>80	IP65	L487*W362*H120MM
HB300ME6I-CO	300W	220~240V	48000LM	>80	IP65	L720*W365*H130MM
HB360ME6I-CO	360W	220~240V	57600LM	>80	IP65	L720*W365*H130MM



160LM/W

Features

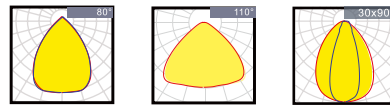
- Housing: Pure Aluminum
- Thermal Conductivity: 226 W/m·K
- Led: Philips
- CRI: Ra>8
- SDCM: <6
- Power Factor: >0.95
- THD: <15
- Driver: Sosen
- Driver Efficiency: >93%
- Protection: OTP, OCP, OVP, SCP
- Surge Protection: 4KV
- Waterproof: IP65
- Impact Test: IK10
- Electrical: 100-277V, 50/60Hz
- Operating Temperature: -40~50°C
- Tm21: L90B10>50,000H
- Lifetime: 50,000H



Functions

ZigBee · PWM · DALI · 0/1~10V · Micro-wave

Optical options:



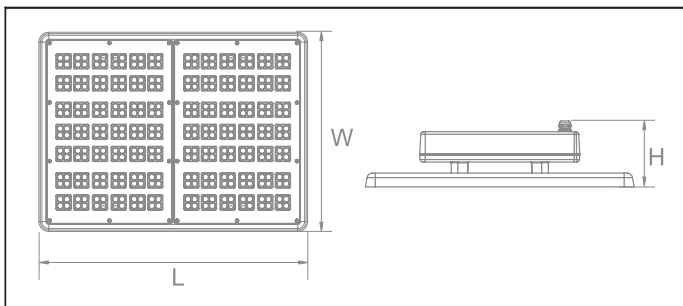
Model	Watt	Voltage	Lumen	CRI	IP	Dimension
HB100ME2I-PS	100W	100~277V	16000LM	>80	IP65	L362*W257*H120MM
HB120ME2I-PS	120W	100~277V	19200LM	>80	IP65	L415*W310*H120MM
HB150ME4I-PS	150W	100~277V	24000LM	>80	IP65	L487*W362*H120MM
HB200ME4I-PS	200W	100~277V	32000LM	>80	IP65	L487*W362*H120MM



UGR < 19
IK 10

Features

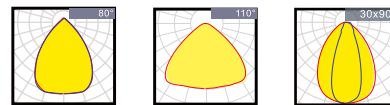
Housing: Pure Aluminum
 Thermal Conductivity: 226 W/m·K
 Led: CREE JK 3030
 CRI: Ra>70 (80/90 for option)
 SDCM: <6
 Power Factor: >0.95
 THD: <15
 Driver: Osram
 Driver Efficiency: >93%
 Protection: OTP, OCP, OVP, SCP
 Surge Protection: 10KV
 Waterproof: IP65
 Impact Test: IK10
 Electrical: 220-240V, 50/60Hz
 Operating Temperature: -40~50°C
 Tm21: L90B10>50,000H
 Lifetime: 50,000H



Functions

ZigBee · PWM · DALI · 0/1~10V · Micro-wave

Optical options:



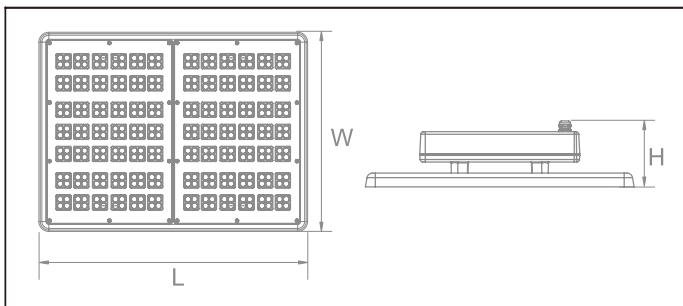
Model	Watt	Voltage	Lumen	CRI	IP	Dimension
HB060ME2F-CO	60W	220~240V	7800LM	>70 (80)	IP65	L362*W257*H120MM
HB100ME2F-CO	100W	220~240V	13000LM	>70 (80)	IP65	L362*W257*H120MM
HB150ME2F-CO	150W	220~240V	19500LM	>70 (80)	IP65	L415*W310*H120MM
HB200ME4F-CO	200W	220~240V	26000LM	>70 (80)	IP65	L487*W362*H120MM
HB300ME6F-CO	300W	220~240V	39000LM	>70(80)	IP65	L720*W365*H130MM
HB360ME6F-CO	360W	220~240V	43200LM	>70(80)	IP65	L720*W365*H130MM



UGR < 19
IK 10

Features

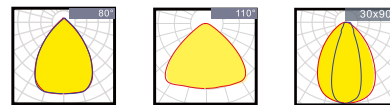
Housing: Pure Aluminum
 Thermal Conductivity: 226 W/m·K
 Led: CREE JK 3030
 CRI: Ra>70 (80/90 for option)
 SDCM: <6
 Power Factor: >0.95
 THD: <15
 Driver: Meanwell ELG
 Driver Efficiency: >93%
 Protection: OTP, OCP, OVP, SCP
 Surge Protection: 6KV
 Waterproof: IP65
 Impact Test: IK10
 Electrical: 100-277V, 50/60Hz
 Operating Temperature: -40~50°C
 Tm21: L90B10>50,000H
 Lifetime: 50,000H



Functions

ZigBee · PWM · DALI · 0/1~10V · Micro-wave

Optical options:



Model	Watt	Voltage	Lumen	CRI	IP	Dimension
HB060ME2F-CM	60W	100~277V	7800LM	>70 (80)	IP65	L362*W257*H120MM
HB100ME2F-CM	100W	100~277V	13000LM	>70 (80)	IP65	L362*W257*H120MM
HB150ME2F-CM	150W	100~277V	19500LM	>70 (80)	IP65	L415*W310*H120MM
HB200ME4F-CM	200W	100~277V	26000LM	>70 (80)	IP65	L487*W362*H120MM
HB300ME6F-CM	300W	100~277V	39000LM	>70 (80)	IP65	L720*W365*H130MM