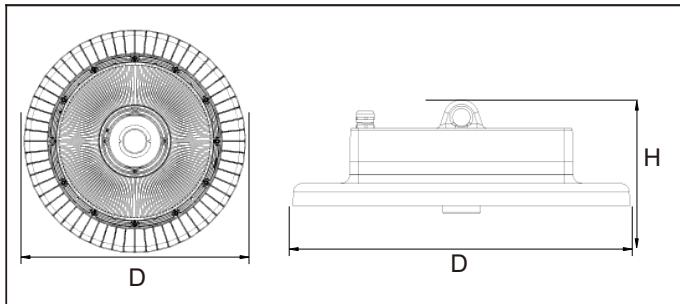




Features

Housing: Die-cast
 Thermal Conductivity: 96 W/m · K
 Led: Philips
 CRI: Ra>80 (90 for option)
 SDCM: <6
 Power Factor: >0.95
 THD: <15
 Driver: Sosen
 Driver Efficiency: >93%
 Protection: OTP, OCP, OVP, SCP
 Surge Protection: 4KV
 Waterproof: IP65
 Impact Test: IK08
 Electrical: 100-277V, 50/60Hz
 Operating Temperature: -40~60 °C
 TM21: L80B10>50,000H
 Lifetime: 50,000H



Functions

ZigBee · PWM · 0/1~10V · Micro-wave

Optical options:



Model	Watt	Voltage	Lumen	CRI	IP	Dimension
HB100AE4I-PY	100W	100~277V	16000LM	>80	IP65	D380*H130mm
HB150AE4I-PY	150W	100~277V	24000LM	>80	IP65	D380*H130mm
HB200AE4I-PY	200W	100~277V	32000LM	>80	IP65	D380*H130mm
HB240AE4I-PY	240W	100~277V	38400LM	>80	IP65	D380*H130mm

