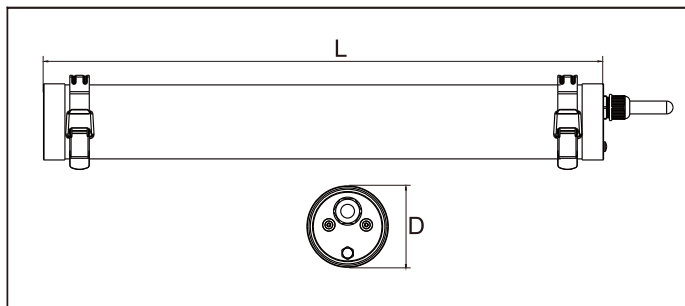




Features

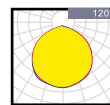
Housing: PMMA
 Thermal Conductivity: 226 W/m·K
 Led: Bridgelux
 CRI: Ra>80
 SDCM: <6
 Power Factor: >0.90
 THD: <15
 Driver: Lifud
 Driver Efficiency: >90%
 Protection: OTP, OCP, OVP, SCP
 Surge Protection: 2KV
 Waterproof: IP69K
 Impact Test: IK08
 Electrical: 220-240V, 50/60Hz
 Operating Temperature: -20~45C°
 TM21: L80B10>50,000H
 Lifetime: 50,000H



Functions

ZigBee • PWM • DALI • 0/1~10V • Micro-wave

Optical options:

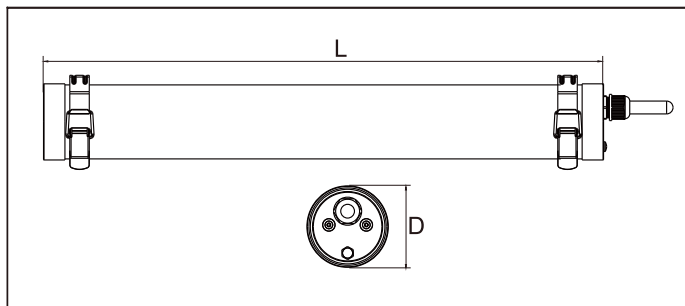


Model	Watt	Voltage	Lumen	CRI	IP	Dimension
TP020TE2H-BL	20W	220~240V	3000LM	>80	IP69K	L600*D81MM
TP040TE4H-BL	40W	220~240V	6000LM	>80	IP69K	L1200*D81MM
TP060TE5H-BL	60W	220~240V	9000LM	>80	IP69K	L1500*D81MM



Features

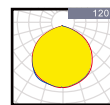
Housing: PMMA
 Thermal Conductivity: 226 W/m·K
 Led: Bridgelux
 CRI: Ra>80
 SDCM: <6
 Power Factor: >0.90
 THD: <15
 Driver: Osram
 Driver Efficiency: >90%
 Protection: OTP, OCP, OVP, SCP
 Surge Protection: 2KV
 Waterproof: IP69K
 Impact Test: IK08
 Electrical: 220-240V, 50/60Hz
 Operating Temperature: -20~45C°
 TM21: L80B10>50,000H
 Lifetime: 50,000H



Functions

ZigBee • PWM • DALI • 0/1~10V • Micro-wave

Optical options:



Model	Watt	Voltage	Lumen	CRI	IP	Dimension
TP020TE2H-BO	20W	220~240V	3000LM	>80	IP69K	L600*D81MM
TP040TE4H-BO	40W	220~240V	6000LM	>80	IP69K	L1200*D81MM
TP060TE5H-BO	60W	220~240V	9000LM	>80	IP69K	L1500*D81MM