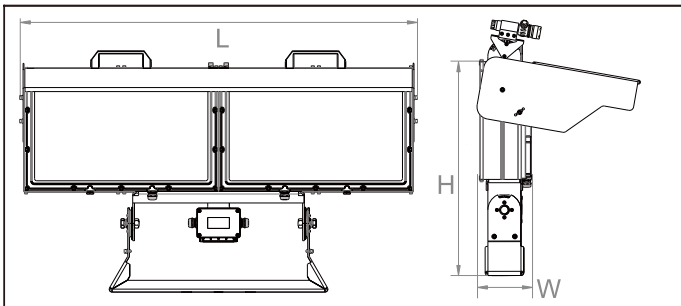




## Features

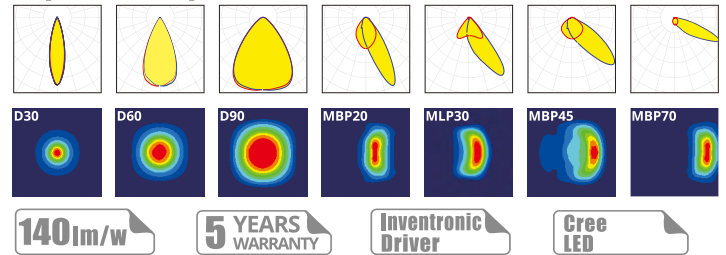
Housing: Pure Aluminum  
 Thermal Conductivity: 226 W/m·K  
 Led: Cree 5050  
 CRI: Ra>70  
 SDCM: <6  
 Power Factor: >0.95  
 THD: <15  
 Driver: Inventronic  
 Driver Efficiency: >93%  
 Protection: OTP, OCP, OVP, SCP  
 Surge Protection: 10KV  
 Waterproof: IP66  
 Impact Test: IK08  
 Electrical: 100-277V, 50/60Hz  
 Operating Temperature: -40~60°C  
 TM21: L90B10>50,000H  
 Lifetime: 50,000H



## Functions

ZigBee · DMX · DALI · 0/1~10V

## Optical options:



Model	Watt	Voltage	Lumen	CRI	IP	Dimension
HM500SE1G-CI	500W	100~277V	70000LM	>70	IP66	454*487*126.5
HM600SE1G-CI	600W	100~277V	84000LM	>70	IP66	454*487*126.5
HM1K0SE2G-CI	1000W	220~240V	140000LM	>70	IP66	904*523*126.5
HM1K2SE2G-CI	1200W	220~240V	168000LM	>70	IP66	904*523*126.5