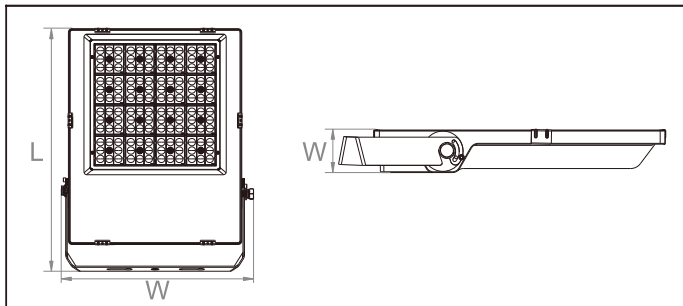




Features

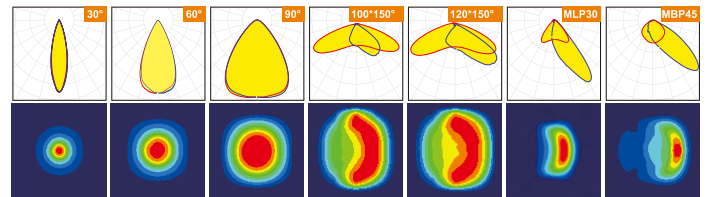
- Housing: Die Cast Aluminum
- Thermal Conductivity: 96 W/m·K
- Led: Cree 3030
- CRI: Ra>70
- SDCM: <6
- Power Factor: >0.95
- THD: <15
- Driver: Meanwell
- Driver Efficiency: >93%
- Protection: OTP, OCP, OVP, SCP
- Surge Protection: 6KV
- Waterproof: IP66
- Impact Test: IK08&IK10
- Electrical: 100-277V, 50/60Hz
- Operating Temperature: -40~50 °C
- TM21: L90B10>50,000H
- Lifetime: 50,000H



Functions

ZigBee · DMX · DALI · 0/1~10V

Optical options:



Model	Watt	Voltage	Lumen	CRI	IP	Dimension
HM100SE1H-CM	100W	100~277V	15000LM	>70	IP66	292*246*53
HM150SE1H-CM	150W	100~277V	22500LM	>70	IP66	336*264*53
HM200SE1H-CM	200W	100~277V	30000LM	>70	IP66	407*328*53
HM240SE1H-CM	240W	100~277V	36000LM	>70	IP66	407*328*53
HM300SE1H-CM	300W	100~277V	45000LM	>70	IP66	496*411*71
HM400SE1H-CM	400W	100~277V	60000LM	>70	IP66	496*411*71