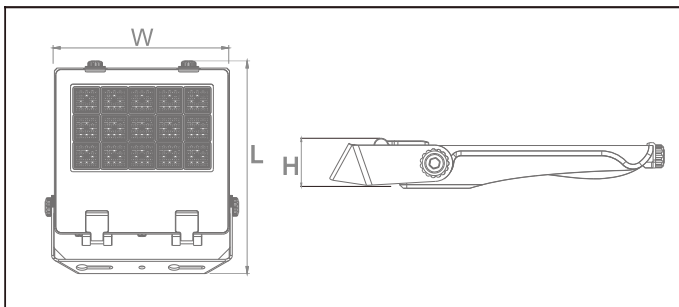




UGR<21

## Features

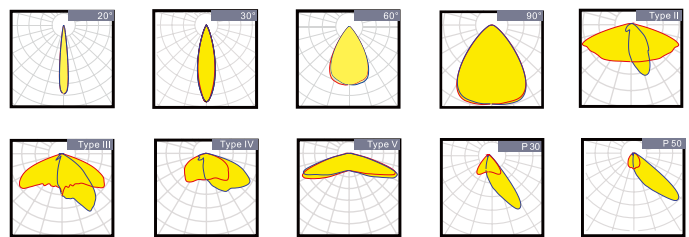
Housing: Die-cast Aluminum ADC12  
 Thermal Conductivity: 96 W/m·K  
 Led: CREE JK3030  
 CRI: Ra>70 ( 80/90 for option)  
 SDCM: <6  
 Power Factor: >0.95  
 THD: <15  
 Driver: Meanwell ELG  
 Driver Efficiency: >90%  
 Protection: OTP, OCP, OVP, SCP  
 Surge Protection: 6KV  
 Waterproof: IP66  
 Impact Test: IK08 & IK10  
 Electrical: 100-277V, 50/60Hz  
 Operating Temperature: -40~50°C  
 TM21: L90B10>50,000H  
 Lifetime: 50,000H



## Functions

ZigBee · PWM · DALI · 0/1~10V · Micro-wave · PIR

## Optical options:



140lm/w

5 YEARS WARRANTY

Meanwell Driver

CREE LED

Model	Watt	Voltage	Lumen	CRI	IP	Dimension
HM100NE1G-CM	100W	100~277V	14000LM	>70 (80)	IP66	L461*W320*H69MM
HM150NE1G-CM	150W	100~277V	21000LM	>70 (80)	IP66	L461*W320*H69MM
HM200NE1G-CM	200W	100~277V	28000LM	>70 (80)	IP66	L461*W380*H69MM
HM240NE1G-CM	240W	100~277V	33600LM	>70 (80)	IP66	L534*W440*H69MM
HM300NE1G-CM	300W	100~277V	42000LM	>70 (80)	IP66	L534*W440*H69MM

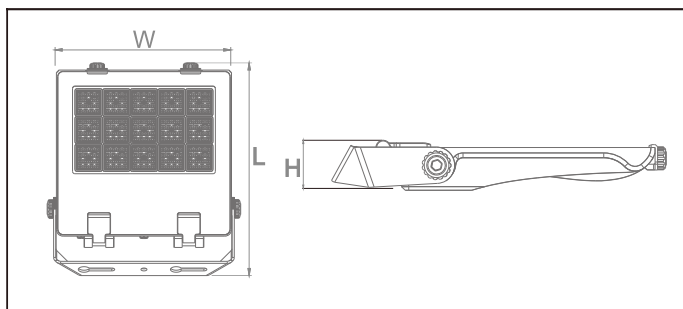
Note: Type II/Type III/Type IV/Type V/P50 Brightness 120lm/w,P30 brightness 150lm/w



**UGR<21**

## Features

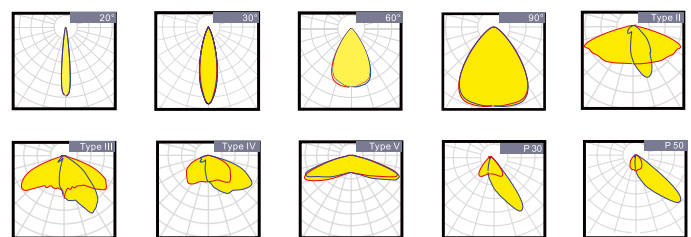
- Housing: Die-cast Aluminum ADC12
- Thermal Conductivity: 96 W/m·K
- Led: CREE JK3030
- CRI: Ra>70 ( 80/90 for option)
- SDCM: <6
- Power Factor: >0.95
- THD: <15
- Driver: Sosen
- Driver Efficiency: >90%
- Protection: OTP, OCP, OVP, SCP
- Surge Protection: 10KV
- Waterproof: IP66
- Impact Test: IK08 & IK10
- Electrical: 100-277V, 50/60Hz
- Operating Temperature: -40~50°C
- TM21: L90B10>50,000H
- Lifetime: 50,000H



## Functions

ZigBee · PWM · DALI · 0/1~10V · Micro-wave · PIR

## Optical options:



Model	Watt	Voltage	Lumen	CRI	IP	Dimension
HM100NE1G-CS	100W	100~277V	14000LM	>70 (80)	IP66	L461*W320*H69MM
HM150NE1G-CS	150W	100~277V	21000LM	>70 (80)	IP66	L461*W320*H69MM
HM200NE1G-CS	200W	100~277V	28000LM	>70 (80)	IP66	L461*W380*H69MM
HM240NE1G-CS	240W	100~277V	33600LM	>70 (80)	IP66	L534*W440*H69MM
HM300NE1G-CS	300W	100~277V	42000LM	>70 (80)	IP66	L534*W440*H69MM

Note: Type II/Type III/Type IV/Type V/P50 Brightness 120lm/w,P30 brightness 150lm/w