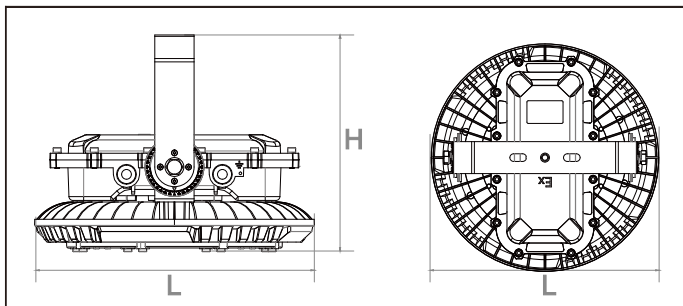




II 2G Ex db mb IIB T4 Gb  
II 2D Ex tb IIIC T1 (95°C) Db

## Features

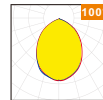
- Housing: Pure Aluminum
- Thermal Conductivity: 226 W/m·K
- Led: Cree 3030
- CRI: Ra>80
- SDCM: <6
- Power Factor: >0.95
- THD: <15
- Driver: Meanwell
- Driver Efficiency: >93%
- Protection: OTP, OCP, OVP, SCP
- Surge Protection: 6KV
- Waterproof: IP66
- Impact Test: IK08
- Electrical: 85-305V, 50/60Hz
- Operating Temperature: -40~60°C
- TM21: L90B10>50,000H
- Lifetime: 50,000H



## Functions

ZigBee · DMX · DALI · 0/1~10V

## Optical options:



160~180 lm/w

5 YEARS WARRANTY

Meanwell Driver

Cree LED

Model	Watt	Voltage	Lumen	CRI	IP	Dimension
EX060ME4F-CM	60W	85~305V	10800LM	>80	IP66	φ 356*H275mm
EX080ME4F-CM	80W	85~305V	14400LM	>80	IP66	φ 356*H275mm
EX100ME4F-CM	100W	85~305V	17000LM	>80	IP66	φ 356*H275mm
EX120ME4F-CM	120W	85~305V	20400LM	>80	IP66	φ 356*H275mm
EX150ME4F-CM	150W	85~305V	24000LM	>80	IP66	φ 356*H275mm
EX200ME4F-CM	200W	85~305V	32000LM	>80	IP66	φ 356*H275mm