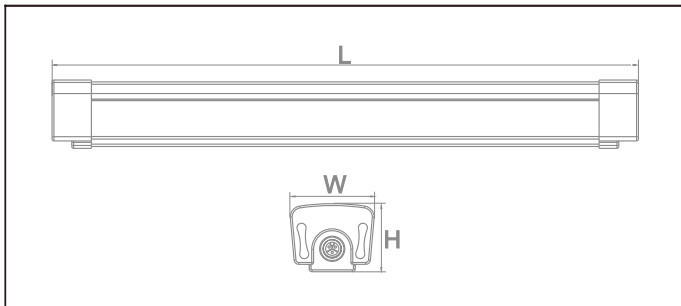




## Features

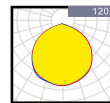
Housing: Pure Aluminum A6063  
 Thermal Conductivity: 226 W/m·K  
 Led: Bridgelux  
 CRI: Ra>80  
 SDCM: <6  
 Power Factor: >0.95  
 THD: <15  
 Driver: Lifud  
 Driver Efficiency: >92%  
 Protection: OTP, OCP, OVP, SCP  
 Surge Protection: 2KV  
 Waterproof: IP65  
 Impact Test: IK10  
 Corrosion Proof: Hard Anodic Oxide Coating  
 Electrical: 220-240V, 50/60Hz  
 Operating Temperature: -20~40°C  
 TM21: L80B10>50,000H  
 Lifetime: 50,000H



## Functions

ZigBee · PWM · DALI · 0/1~10V · Micro-wave

## Optical options:



130lm/w

5 YEARS WARRANTY

Lifud Driver

Bridgelux LED

Model	Watt	Voltage	Lumen	CRI	IP	Dimension
TP020HE2F-BL	20W	220~240V	2600LM	>80	IP65	L600*W90*H74MM
TP040HE4F-BL	40W	220~240V	5200LM	>80	IP65	L1200*W90*H74MM
TP060HE4F-BL	60W	220~240V	7800LM	>80	IP65	L1200*W90*H74MM
TP060HE5F-BL	60W	220~240V	7800LM	>80	IP65	L1500*W90*H74MM
TP080HE5F-BL	80W	220~240V	10400LM	>80	IP65	L1500*W90*H74MM