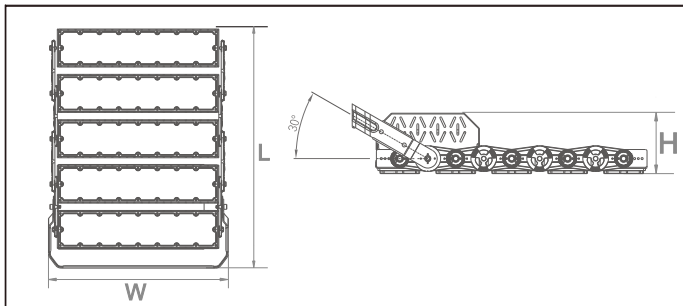




Features

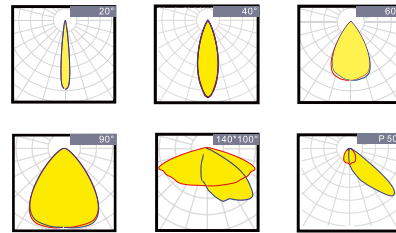
Housing: Pure Aluminum A6063
 Thermal Conductivity: 226 W/m·K
 Led: CREE 5050
 CRI: Ra>70 (80/90 for option)
 SDCM: <6
 Power Factor: >0.95
 THD: <15
 Driver: Meanwell
 Driver Efficiency: >93%
 Protection: OTP, OCP, OVP, SCP
 Surge Protection: 6KV
 Waterproof: IP65
 Impact Test: IK08
 Electrical: 100-277V, 50/60Hz
 Operating Temperature: -40~50°C
 TM21: L90B10>50,000H
 Lifetime: 50,000H



Functions

ZigBee · PWM · DALI · 0/1~10V · DMX

Optical options:



150lm/w

5 YEARS WARRANTY

Meanwell Driver

CREE LED

Model	Module	Watt	Voltage	Lumen	CRI	IP	Dimension
HM250HE2H-CM	125W Module x2	250W	220~240V	37500LM	>70 (80)	IP65	L332*W350*H160
HM500HE4H-CM	125W Module x4	500W	220~240V	75000LM	>70 (80)	IP65	L628*W350*H160
HM750HE3H-CM	250W Module x3	750W	220~240V	112500LM	>70 (80)	IP65	L484*W587*H195
HM1K0HE4H-CM	250W Module x4	1000W	220~240V	150000LM	>70 (80)	IP65	L632*W587*H195
HM1K2HE5H-CM	250W Module x5	1200W	220~240V	187000LM	>70 (80)	IP65	L780*W587*H195
HM1K5HE6H-CM	250W Module x6	1500W	220~240V	225000LM	>70 (80)	IP65	L928*W587*H195