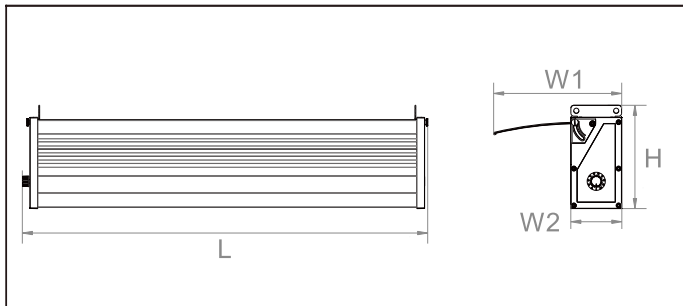




Features

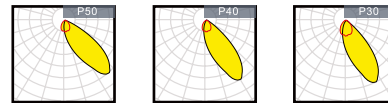
- Housing: Pure Aluminum
- Thermal Conductivity: 226 W/m·K
- Led: Philips
- CRI: Ra>80
- SDCM: <6
- Power Factor: >0.95
- THD: <15
- Driver: Meanwell
- Driver Efficiency: >93%
- Protection: OTP, OCP, OVP, SCP
- Surge Protection: 6KV
- Waterproof: IP54
- Impact Test: IK10
- Electrical: 100-277V, 50/60Hz
- Operating Temperature: -40~50°C
- TM21: L90B10>50,000H
- Lifetime: 50,000H



Functions

ZigBee · PWM · DALI · 0/1~10V · Micro-wave

Optical options:



Model	Watt	Voltage	Lumen	CRI	IP	Dimension
TC150GE2F-PM	150W	100~277V	20250LM	>80	IP54	538*212/84*171
TC240GE3F-PM	240W	100~277V	32400LM	>80	IP54	838*212/84*171