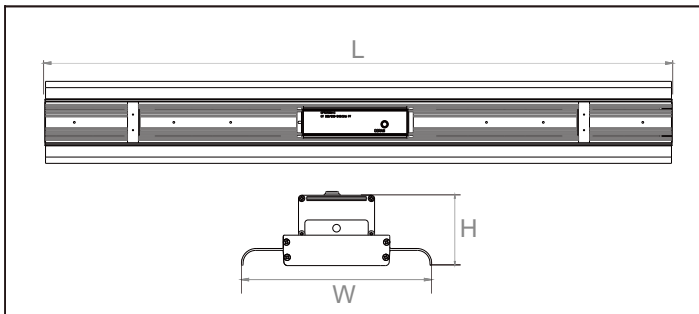


Features

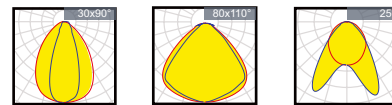
Housing: Pure Aluminum A6063
 Thermal Conductivity: 226 W/m·K
 Led: Philips
 CRI: Ra>80 (80/90 for option)
 SDCM: <6
 Power Factor: >0.95
 THD: <15
 Driver: Sosen
 Driver Efficiency: >93%
 Protection: OTP, OCP, OVP, SCP
 Surge Protection: 6KV
 Waterproof: IP54
 Impact Test: IK08
 Electrical: 100-277V, 50/60Hz
 Operating Temperature: -40~60°C
 Tm21: L90B10>50,000H
 Lifetime: 50,000H



Functions

ZigBee · PWM · DALI · 0/1~10V · Micro-wave · PIR

Optical options:

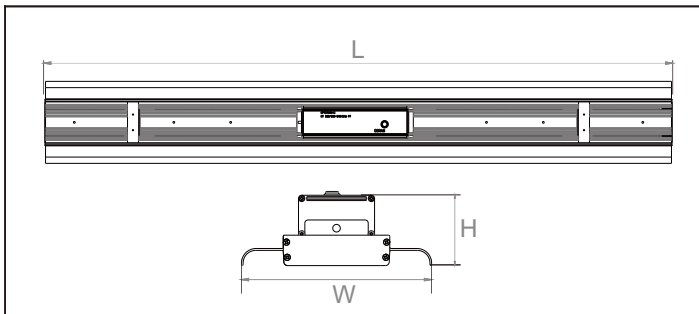
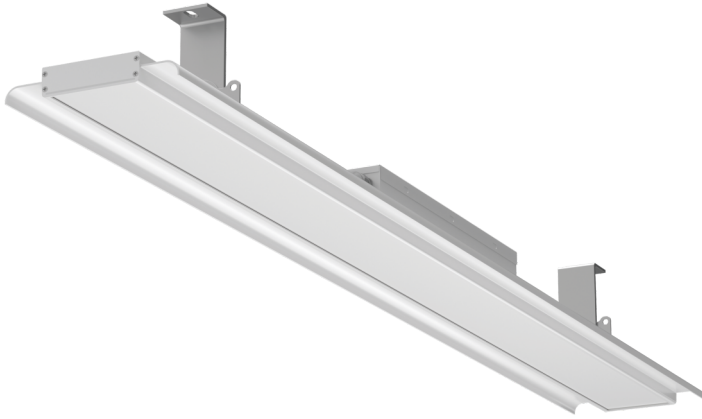


Model	Watt	Voltage	Lumen	CRI	IP	Dimension
HB100GE1J-PY	100W	100~277V	16000LM	>80	IP54	L576*W150*H59MM
HB150GE1J-PY	150W	100~277V	24000LM	>80	IP54	L862*W150*H59MM
HB200GE1J-PY	200W	100~277V	32000LM	>80	IP54	L1148*W150*H59MM
HB240GE1J-PY	240W	100~277V	38400LM	>80	IP54	L1434*W150*H59MM



Features

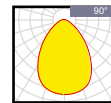
- Housing: Pure Aluminum A6063
- Thermal Conductivity: 226 W/m·K
- Led: Philips
- CRI: Ra>80 (80/90 for option)
- SDCM: <6
- Power Factor: >0.95
- THD: <15
- Driver: Sosen
- Driver Efficiency: >93%
- Protection: OTP, OCP, OVP, SCP
- Surge Protection: 6KV
- Waterproof: IP54
- Impact Test: IK08
- Electrical: 100-277V, 50/60Hz
- Operating Temperature: -40~60°C
- Tm21: L90B10>50,000H
- Lifetime: 50,000H



Functions

ZigBee · PWM · DALI · 0/1~10V · Micro-wave · PIR

Optical options:



Model	Watt	Voltage	Lumen	CRI	IP	Dimension
HB100GE1I-PY	100W	100~277V	16000LM	>80	IP54	L576*W150*H59MM
HB150GE1I-PY	150W	100~277V	24000LM	>80	IP54	L862*W150*H59MM
HB200GE1I-PY	200W	100~277V	32000LM	>80	IP54	L1148*W150*H59MM
HB240GE1I-PY	240W	100~277V	38400LM	>80	IP54	L1434*W150*H59MM