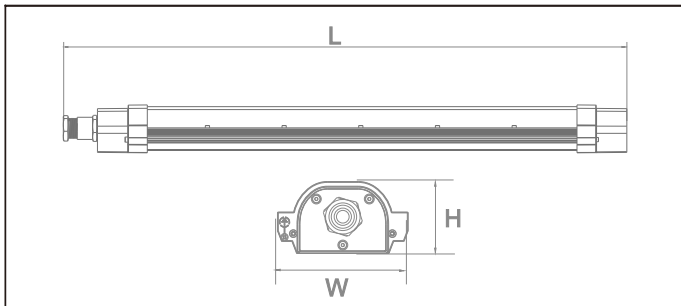




## Features

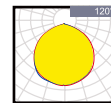
Housing: Pure Aluminum A6063  
 Thermal Conductivity: 226 W/m·K  
 Led: Bridgelux  
 CRI: Ra>80  
 SDCM: <6  
 Power Factor: >0.95  
 THD: <15  
 Driver: Explosion Proof Driver  
 Driver Efficiency: >92%  
 Protection: OTP, OCP, OVP, SCP  
 Surge Protection: 4KV  
 Waterproof: IP65  
 Impact Test: IK10  
 Corrosion Proof: WF2  
 Electrical: 100-277V, 50/60Hz  
 Operating Temperature: -25~45 °C  
 TM21: L90B10>50,000H  
 Lifetime: 50,000H



## Functions

ZigBee · PWM · DALI · 0/1~10V

## Optical options:



Model	Watt	Voltage	Lumen	CRI	IP	Dimension
TB020SG2G-BL	20W	100~277V	2800LM	>80	IP65	L735*W115*H63MM
TB040SG2G-BL	40W	100~277V	5600LM	>80	IP65	L735*W115*H63MM
TB040SG4G-BL	40W	100~277V	5600LM	>80	IP65	L1335*W115*H63MM
TB060SG4G-BL	60W	100~277V	8400LM	>80	IP65	L1335*W115*H63MM
TB080SG4G-BL	80W	100~277V	11200LM	>80	IP65	L1335*W115*H63MM