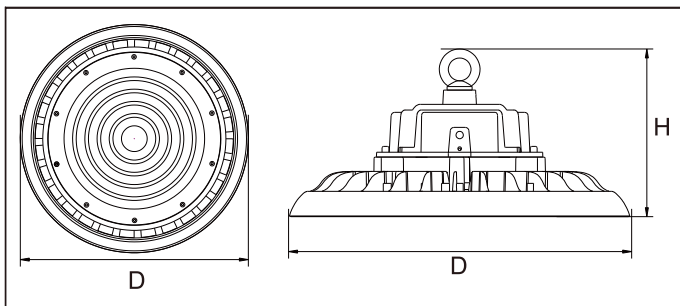




Features

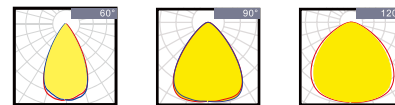
Housing: Die-cast
 Thermal Conductivity: 96 W/m·K
 Led: Philips
 CRI: Ra>80 (90 for option)
 SDCM: <6
 Power Factor: >0.95
 THD: <15
 Driver: Sosen
 Driver Efficiency: >93%
 Protection: OTP, OCP, OVP, SCP
 Surge Protection: 4KV
 Waterproof: IP65
 Impact Test: IK08
 Electrical: 100-277V, 50/60Hz
 Operating Temperature: -40~60°C
TM21: L80B10>50,000H
 Lifetime: 50,000H



Functions

ZigBee · PWM · 0/1~10V · Micro-wave

Optical options:



Model	Watt	Voltage	Lumen	CRI	IP	Dimension
HB100CE0F-PS	100W	100~277V	13000LM	>80 (90)	IP65	D258*H139MM
HB150CE2F-PS	150W	100~277V	19500LM	>80 (90)	IP65	D299*H139MM
HB200CE4F-PS	200W	100~277V	26000LM	>80 (90)	IP65	D347*H142MM



Features

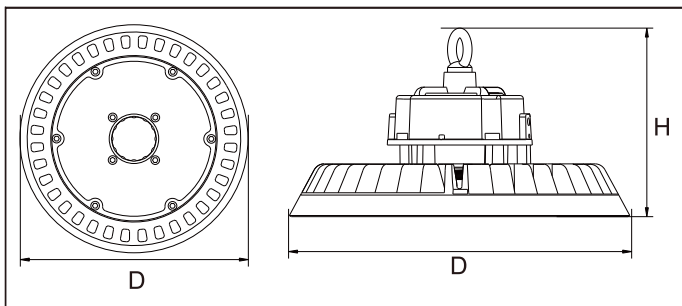
Housing: Die-cast
 Thermal Conductivity: 96 W/m·K
 Led: Sanan
 CRI: Ra>70 (80 for option)
 SDCM: <6
 Power Factor: >0.95
 THD: <15
 Driver: Sosen
 Driver Efficiency: >93%
 Protection: OTP, OCP, OVP, SCP
 Surge Protection: 4KV
 Waterproof: IP65
 Impact Test: IK08
 Electrical: 100-277V, 50/60Hz
 Operating Temperature: -40~60°C
 TM21: L80B10>50,000H
 Lifetime: 50,000H



Functions

ZigBee · PWM · 0/1~10V · Micro-wave

Optical options:



Model	Watt	Voltage	Lumen	CRI	IP	Dimension
HB100CE0M-SYS	100W	100~277V	20000LM	>70(80)	IP65	D308*H181
HB120CE2M-SYS	120W	100~277V	24000LM	>70(80)	IP65	D308*H181
HB150CE2M-SYS	150W	100~277V	30000LM	>70(80)	IP65	D308*H181
HB200CE4M-SYS	200W	100~277V	40000LM	>70(80)	IP65	D354*H183